

Spray Bodies

Introduction

Spray Bodies

Spray Nozzles

Rotors

Valves

Controllers

Central Controls

Landscape Drip

Pumps

Drainage Products

Resources



"We've installed more than 100,000 Rain Bird 1800 Series Spray Heads because we trust their consistent quality.

We've been using Rain Bird 1800 Series Spray Heads and Nozzles exclusively for nearly 20 years. Rain Bird products serve our customers well and have helped us become one of the leading landscape companies in the Portland area."

Rodney Reed, President
Green Earth Landscaping, Inc.

Major Products

	1802, 1804, 1806	1812 PRS	1800 SAM	1800 SAM-PRS	1800 SAM-PRS-45	US-200, US-400	1300/1400 Bubbblers	PA-80 PA-8S PA-8S-NP PA-8S-PRS	RD-04, RD-06	RD-12	RD1800 SAM	RD1800 SAM-PRS	RD1800 SAM-PRS-F	RD1800 SAM-PRS-45-F
Primary Applications														
Turfgrass	●		●	●	●	●			●		●	●	●	●
Slopes				●	●	●*					●	●	●	●
Ground Cover/Shrubs	●	●	●	●	●	●	●	●	●	●	●	●	●	●
High Pressure Systems			●	●	●		●	●	●	●	●	●	●	●
Low Pressure Systems	●	●				●	●	●	●	●				
High Wind Areas	●	●	●	●	●	●	●	●	●	●	●	●	●	●
Non-Potable Water								●	●	●	●	●	●	●
Vandalism/Damage Prone													●	●
Dirty Water									●	●	●	●	●	●

*Optional US-SAM check valve is retrofittable on all UNI-Sprays.™



Water Saving Tips

- The patented, built-in PRS regulator maintains optimal operating pressure and restricts water loss by up to 70% if a nozzle is removed or damaged. It also ends water waste by eliminating misting and fogging caused by high pressure.
- Save water, stop low head drainage, and reduce water hammer by preventing water from draining out of pipes after irrigation with 1800 Series Sprays featuring Seal-A-Matic™ (SAM) check valves.
- Exclusive Flow Shield Technology provides up to 90% reduction in water loss when a nozzle is removed, preventing potentially costly and unacceptable run-off.

UNI-Spray™ Series

Compact and reliable spray heads for any application

Features

- Small exposed cover makes the unit virtually invisible for more attractive landscapes
- Constructed of durable materials including corrosion resistant stainless steel, assuring long product life even in high pressure or surge conditions
- Pressure-activated wiper seal prevents excessive flow-by and water waste and keeps debris from entering upon retraction
- Two-piece ratchet mechanism allows easy nozzle pattern alignment and provides added durability
- Three Year Trade Warranty

Operating Range (for pre-installed nozzle choices)

- Spacing:
 - 10 VAN Series: 8 to 10 feet (2.4 to 3.0 m)
 - 12 VAN Series: 10 to 12 feet (3.0 to 3.7 m)
 - 15 VAN Series: 12 to 15 feet (3.7 to 4.6 m)
 - 18 VAN Series: 14 to 18 feet (4.3 to 5.5 m)
- Pressure: 15 to 70 psi (1.0 to 4.8 bar)
- Optimum pressure: 30 psi (2.1 bar)
- Adjustable nozzle arc range: 0° - 360°

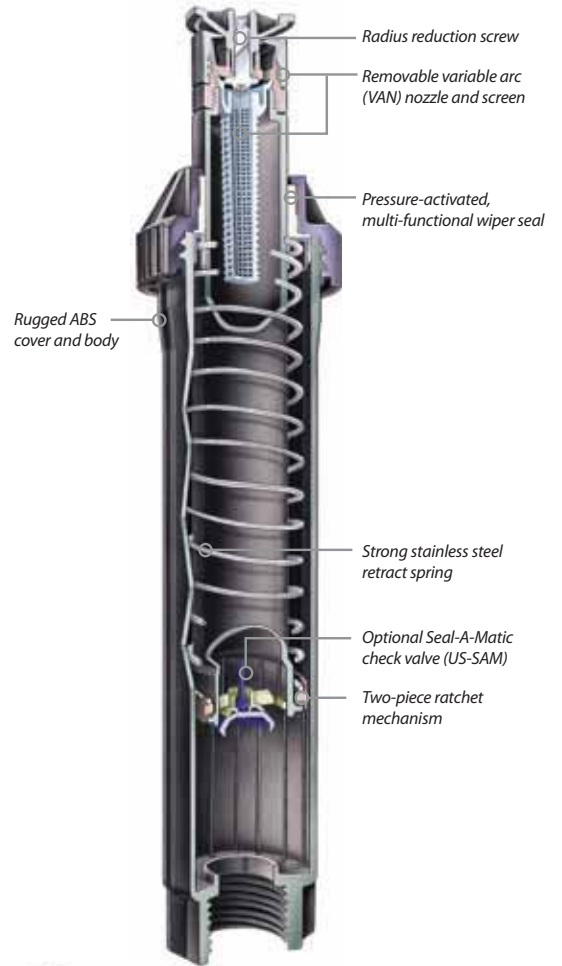
Specifications

- Flow-by: 0 at 10 psi (0.75 bar) or greater; 0.20 gpm (0.04 m³/h; 0.60 l/m) otherwise

Models*

- US-400: 4" pop-up height (10.2 cm)
- US-215 VAN 2" pop-up height (5.1 cm) with 15-VAN attached
- US-410 VAN 4" pop-up height (10.2 cm) with 10-VAN attached
- US-412 VAN 4" pop-up height (10.2 cm) with 12-VAN attached
- US-415 VAN 4" pop-up height (10.2 cm) with 15-VAN attached
- US-418 VAN 4" pop-up height (10.2 cm) with 18-VAN attached
- US-SAM UNI-Spray field installed check valve

*The UNI-Spray accepts all Rain Bird nozzles



Variable Arc Nozzles
(10, 12, 15 or 18 feet) are available pre-installed



UNI-Spray™

How To Specify

US - 4 - 15VAN

Nozzle Series/Pattern
VAN nozzle with variable arc

Body
2" (5.1 cm)
4" (10.2 cm)

Model
UNI-Spray

1800® Series

The #1 irrigation spray head in the world

Features

- Co-molded wiper seal provides unmatched resistance to grit, pressure and the environment
- Constructed of time-proven UV-resistant plastic and corrosion resistant stainless steel parts, assuring long product life
- Precision controlled flush at pop-down clears debris from unit, assuring positive stem retraction in all soil types
- Two-piece ratchet mechanism allows easy nozzle pattern alignment and provides added durability
- Five Year Trade Warranty

Operating Range

- Spacing: 2.5 to 24 feet (0.8 to 7.3m)**
- Pressure: 15 to 70 psi (1.0 to 4.8 bar)

Specifications

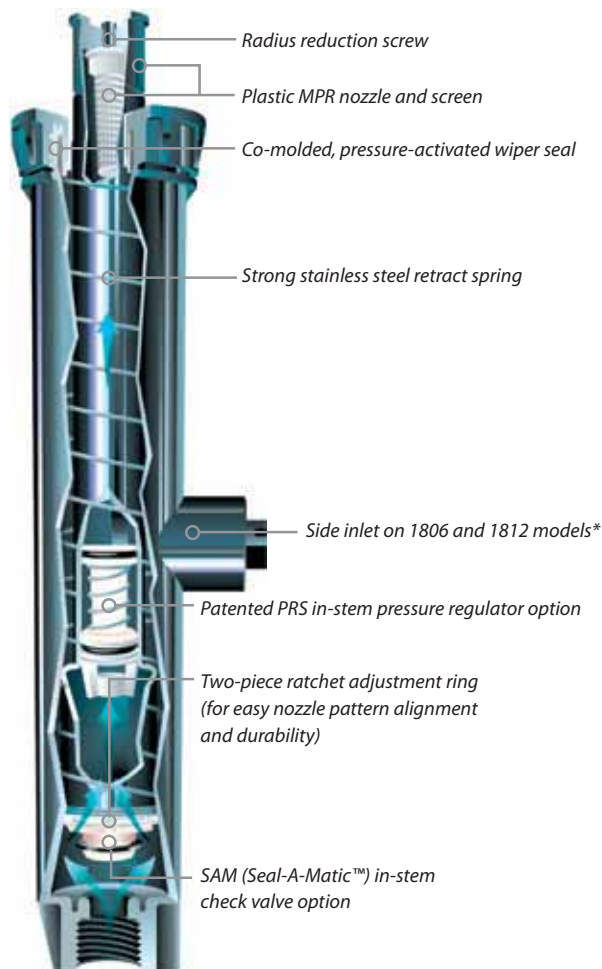
- Flow-by: 0 gpm at 8 psi (0.6 bar) or greater;
0.10 gpm (0.02 m³/h; 0.36 l/m) otherwise

Dimensions/Models

- ½" (15/21) NPT female threaded inlet
- Models and height:
 - 1802: 4" (10.2 cm) body height; 2" pop-up height (5.1 cm)
 - 1804: 6" (15.2 cm) body height; 4" pop-up height (10.2 cm)
 - 1806: 9³/₈" (23.8 cm) body height; 6" pop-up height (15.2 cm)
 - 1812: 16" (40.6 cm) body height; 12" pop-up height (30.5 cm)
- Exposed surface diameter: 2¼" (5.7 cm)

* 1806 and 1812-SAM, SAMPRS, and SAM-PRS-45 units do not have a side inlet

** 2.5 to 18 feet with standard Rain Bird Spray Head Nozzles (SQ, MPR, VAN, USeries) 13 to 24 feet with Rain Bird Rotary Nozzles



How To Specify

1804 SAM-PRS

Option
SAM: Seal-A-Matic™ check valve
PRS: Pressure regulator

Pop-up Height

1802: 2" pop-up height (5.1 cm)
1804: 4" pop-up height (10.2 cm)
1806: 6" pop-up height (15.2 cm)
1812: 12" pop-up height (30.5 cm)

Model

1800 Series Spray Bodies

1800®-SAM, 1800®-PRS, 1800®-SAM-PRS, 1800®-SAM-P45 Series

4", 6", 12" (10.2 cm, 15.2 cm, 30.5 cm)

Features

- **1800®-SAM Series:** Built-in Seal-A-Matic™ (SAM) check valve. Eliminates the need for under-the-head check valves. Traps water in lateral pipes in elevation changes of up to 14 feet (4.2 m). Reduces wear on system components by minimizing water hammer during start-up
- **1800®-PRS Series:** Maintains constant outlet pressure at 30 psi (2.1 bar). PRS pressure regulator built into the stem simplifies system design. Eliminates misting and fogging caused by high pressure. Saves time and money
- **1800®-SAM-PRS Series:** Incorporates all 1800 Series SAM and PRS features. Meets the needs of all spray areas, regardless of changing elevation or water pressures
- **1800®-SAM-P45 Series:** Maintains constant outlet pressure at 45 psi (3.1 bar) at varying inlet pressures. Ensures maximum spray body and nozzle performance, even with varying inlet pressures. Maintains constant pressure regardless of nozzle used

Specifications

- SAM capability: holds up to 14 feet (4.2 m) of head; 6 psi (0.4 bar)
- PRS model: Regulates nozzle pressure to an average 30 psi (2.1 bar) with inlet pressures of up to 70 psi (4.8 bar)
- Flow-by: 0 gpm at 8 psi (0.6 bar) or greater; 0.10 gpm (0.02 m³/h; 0.36 l/m) otherwise
- Installation: side or bottom inlet
- Side inlet installation not recommended in freezing climates
- Five Year Trade Warranty

1800-SAM Models

- 1804-SAM: 4" pop-up height (10.2 cm)
- 1806-SAM: 6" pop-up height (15.2 cm)
- 1812-SAM: 12" pop-up height (30.5 cm)

1800-PRS Models

- 1804 PRS: 4" pop-up height (10.2 cm)
- 1806 PRS: 6" pop-up height (15.2 cm)
- 1812 PRS: 12" pop-up height (30.5 cm)

1800-SAM-PRS Models

- 1804-SAM-PRS: 4" pop-up height (10.2 cm)
- 1806-SAM-PRS: 6" pop-up height (15.2 cm)
- 1812-SAM-PRS: 12" pop-up height (30.5 cm)

1800-SAM-P45 Models

- 1804-SAM-P45: 4" pop-up height (10.2 cm)
- 1806-SAM-P45: 6" pop-up height (15.2 cm)
- 1812-SAM-P45: 12" pop-up height (30.5 cm)



Operating Range

- Spacing: 2.5 to 24 feet (0.8 to 7.3m)*
- Pressure: 15 to 70 psi (1.0 to 4.8 bar)



1800-SAM



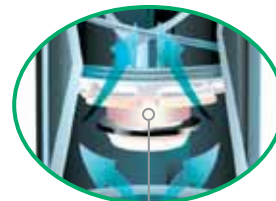
1800-PRS



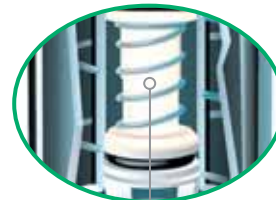
1800-SAM-PRS



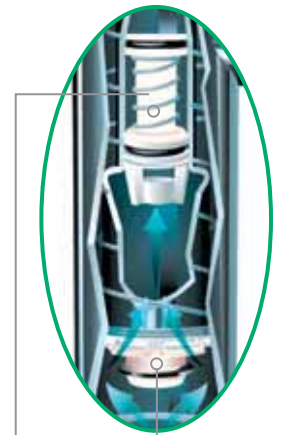
1800-SAM-P45



Built in Seal-A-Matic check valve prevents low-head drainage, ideal for use in changing elevations



Patented pressure regulator in stem compensates for high or fluctuating water pressure to ensure maximum performance



Top-of-the-line spray head includes all the features of the SAM and PRS series, ideal regardless of pressure or elevation

* 2.5 to 18 feet with standard Rain Bird Spray Head Nozzles (SQ, MPR, VAN, U-Series), 13 to 24 feet with Rain Bird Rotary Nozzles

RD1800™ Series Spray Heads

4", 6", 12" (10.2 cm; 15.2 cm; 30.5 cm)

Features

- Patented, Triple-Blade Wiper Seal precisely balances flushing, flow-by and debris protection to optimize performance and durability at pop-up and retraction. Precision-controlled flushing at pop-up and retraction clears debris, assuring positive stem retraction in all soil types
- Unique debris pockets hold grit in place, removing it from circulation and preventing long-term damage. Parts resistant to corrosion in treated recycled water containing chlorine
- **RD1800™ SAM Series:** Built-in Seal-A-Matic™ (SAM) check valve. Eliminates the need for under-the-head check valves. Prevents drainage from spray heads at lower elevations. Stops water waste and ends landscape damage due to flooding and erosion
- **RD1800™ SAM PRS Series:** Incorporates all RD1800 Series SAM and PRS features. Meets the needs of all spray areas, regardless of changing elevation or water pressures
- **RD1800™ Flow-Shield™ Series:** Provides low flow vertical water jet visible from +200' line of sight when a nozzle has been removed
- **RD1800™ Non-Potable Water Series:** Provides an alternative to clip-on caps and molded purple covers. Easy-to-read English "DO NOT DRINK", Spanish "NO BEBA" warnings, and international do not drink symbol

Operating Range

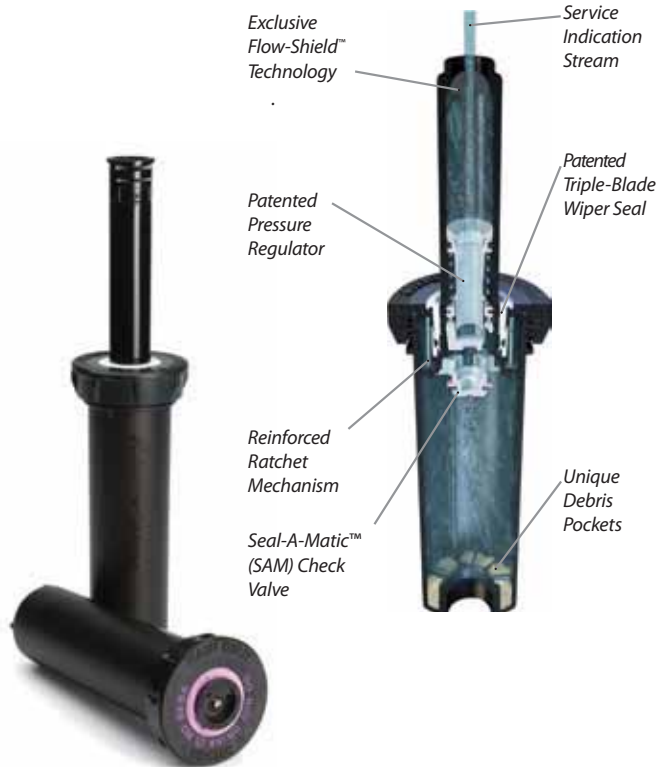
- Spacing: 2.5 to 24 feet (0.8 to 7.3 m)
- Pressure: 15 to 100 psi (1.0 to 6.9 bar)

Specifications

- SAM capability: Holds up to 14 feet (4.2 m) of head; 6 psi (0.3 bar)
- Flow-by: SAM Models: 0 at 15 psi (1.0 bar) or greater; 0.5 gpm (0.1 m³/h; 0.03 l/s) otherwise
All Other Models: 0 at 10 psi (0.7 bar) or greater; 0.5 gpm (0.1 m³/h; 0.03 l/s) otherwise
- SAM-PRS model: Regulates nozzle pressure to an average 30 psi (2.1 bar) with inlet pressures of up to 100 psi (6.9 bar)
- Side inlets featured on non Seal-A-Matic™ (SAM) models only
- Five-year trade warranty

Dimensions

- ½" (15/21) NPT female threaded inlet



RD1800 Series



Standard Cover



Non-Potable Cover

Models

4" Models		6" Models		12" Models	
RD-04-NP	RD-04-S-P30-F	RD-06	RD-06-S-P30-F	RD-12	RD-12-S-P30-F
RD-04-S	RD-04-S-P30-F-N	RD-06-NP	RD-06-S-P30-F-N	RD-12-NP	RD-12-S-P30-F-N
RD-04-S-NP	RD-04-S-P45-F	RD-06-S	RD-06-S-P45-F	RD-12-S	RD-12-S-P45-F
RD-04-S-P30	RD-04-S-P45-F-N	RD-06-S-NP	RD-06-S-P45-F-N	RD-12-S-NP	RD-12-S-P45-F-N
		RD-06-S-P30		RD-12-S-P30	

How To Specify

RD-XX - X - Nozzle

Nozzle
See Rotary Nozzle, U-Series, MPR, VAN, HE-VAN and SQ Nozzle specifications for more information

Optional Features

S: Seal-A-Matic™ check valve
P30: 30 psi (2.1 bar) in-stem pressure regulation
P45: 45 psi (3.1 bar) in-stem pressure regulation
F: Flow-Shield™ Technology
NP: Non-potable water use indicating cover

Model

RD-04: 4" (10 cm) pop-up height
RD-06: 6" (15 cm) pop-up height
RD-12: 12" (40 cm) pop-up height

Notes:

SAM feature included with P45 models.
Flow-Shield™ Technology available in P30 and P45 models only.
Specify sprinkler bodies and nozzles separately.

1800® NP Cover

Non-Potable 1800 Spray Head Cover

Features

- Designed for excellent retention on 1800 Series Spray Body covers
- Purple plastic cover for easy identification of non-potable water system
- Marked with "Do Not Drink!" warning in both English and Spanish
- Snaps onto all 1800® Series Spray Body covers

Model

- 1800-NPCAP



1800-NPCAP

PA

Plastic Shrub Adapter

Features

- Adapts Rain Bird Nozzles for use with 1/2" (15/21) MPT threaded risers
- Accepts protective, non-clogging 1800 Series filter screen (shipped with nozzle) and PCS Series screens
- Durable, non-corrosive plastic construction
- Non-Potable Plastic Shrub Adapter

Specifications

- 1/2" (15/21) female inlet threads
- Fine top threads accept all Rain Bird nozzles

Model

- PA-8S
- PA-8S-NP



PA-8S

PA-8S-NP

PA-80

Plastic Adapter

Features

- Adapts Rain Bird Spray Bodies for use with any 1/2" (15/21) FPT bubbler or spray nozzle
- Rugged, UV-resistant thermoplastic construction
- Easy to install; no tools required

Dimensions

- Height: 1 1/2" (3.8 cm); 0.8" (2.0 cm) above 1800 cap

Model

- PA-80



PA-80

1800®-EXT

Plastic Extension

Features

- UV-resistant thermoplastic construction for long life
- Fits all Rain Bird Spray Bodies and Nozzles. Exception: Cannot be used with bubblers

Model

- 1800-EXT



1800-EXT

PA-8S-PRS

Pressure Regulating Shrub Adapter

Features

- Adapts nozzles for use with 1/2" (15/21) MPT threaded risers
- Patented PRS pressure regulator built into the stem. No parts to be installed at the site. Saves time and money
 - Maintains constant outlet pressure at 30 psi (2.1 bar). Ensures maximum spray head and nozzle performance
 - Restricts water loss by up to 70% if nozzle is removed or damaged. Saves water and money. Reduces liability. Recommended for vandal-prone areas
- Fits all Rain Bird plastic nozzles
- Rugged thermoplastic construction resists UV rays

Operating Range

- Pressure: 15 to 70 psi (1.0 to 4.8 bar)
- Flow: 0.2 to 4.0 gpm (0.05 to 0.91 m³/h; 0.06 to 15.0

Specifications

- 1/2" (15/21) female inlet threads
- Fine top threads accept all Rain Bird nozzles
- Height: 5 1/4" (13.3 cm)

Model

- PA-8S-PRS



PA-8S-PRS

1800 PCS

Pressure Compensating Screens

Features

- Compensates* for pressure variations
- Eliminates fogging and water waste caused by high pressures
- Nozzles can be matched with screens to create short-throw, reduced-radius patterns and/or flush-mounted bubblers
- Color-coded for easy identification
- Use with all 1800 Series plastic nozzles (MPR, VAN, U-Series, Strips and Bubblers)

Operating Range

- Flow: 0.20 to 0.90 gpm (0.05 to 0.20 m³/h; 0.6 to 3.6 l/m)
- Pressure: 15 to 70 psi (1.0 to 4.8 bar)

Models

- PCS-020: 0.2 gpm (0.05 m³/h; 0.6 l/m) - Brown
- PCS-025: 0.25 gpm (0.06 m³/h; 1.2 l/m) - Pink
- PCS-030: 0.3 gpm (0.07 m³/h; 1.2 l/m) - Silver
- PCS-040: 0.4 gpm (0.09 m³/h; 1.8 l/m) - Orange
- PCS-060: 0.6 gpm (0.14 m³/h; 2.4 l/m) - Black
- PCS-090: 0.9 gpm (0.20 m³/h; 3.6 l/m) - White

* With a pressure compensator, outlet pressure will be reduced, but will fluctuate as the inlet pressure changes. A pressure compensator cannot maintain outlet pressure at a constant rate. A pressure regulator establishes and maintains a constant outlet pressure of 30 psi (2.1 bar) as long as the inlet pressure at the spray head is greater than 30 psi (2.1 bar)



1800 PCS
Screens

1800 PCS Performance

Flow (gpm) m ³ /h (l/m)	PCS-020 0.2 0.05 (60) Brown		PCS-025 0.25 0.06 (72) Pink		PCS-030 0.3 0.07 (84) Silver		PCS-040 0.4 0.09 (108) Orange		PCS-060 0.6 0.14 (144) Black		PCS-090 0.9 0.20 (216) White	
	Distance	feet	meters	feet	meters	feet	meters	feet	meters	feet	meters	feet
U-8Q	6	(1.8)	7	(2.1)								
U-8T	4	(1.2)	5	(1.5)								
U-8H	4	(1.2)	5	(1.5)								
U-8F					1	(0.3)	3	(0.9)	7	(2.1)		
U-10Q	5	(1.5)	6	(1.8)	10'	(3.1)						
U-10T	4	(1.2)	4	(1.2)	8	(2.4)	10'	(3.1)				
U-10H					5	(1.5)	6	(1.8)	8	(2.4)	9	(2.7)
U-10F									4	(1.2)	9	(2.7)
U-12Q	2'	(0.6)	4	(1.2)	7'	(2.1)	12'	(3.7)				
U-12T			2	(0.6)	6'	(1.8)	8'	(2.4)	12'	(3.7)		
U-12H					3'	(0.9)	4'	(1.2)	7'	(2.1)	11'	(3.4)
U-12TT									6'	(1.8)	9'	(2.7)
U-12TQ									5'	(1.5)	8'	(2.4)
U-12F							3'	(0.9)	6'	(1.8)	8'	(2.4)
U-15Q			3'	(0.9)	6'	(1.8)	11'	(3.4)	15'	(4.6)		
U15T									10'	(3.1)	13'	(4.0)
U-15H					2'	(0.6)	3'	(0.9)	5'	(1.5)	9'	(2.7)
U15TT												
U15TQ												
U-15F									4'	(1.2)	6'	(1.8)
4 (90°)	1'	(0.3)			3'	(0.9)	4'	(1.2)				
4 (180°)			1'	(0.3)	2'	(0.6)	3'	(0.9)	4'	(1.2)		
4 (270°)					1'	(0.3)	2'	(0.6)	4'	(1.2)		
4 (330°)					1'	(0.3)	2'	(0.6)	4'	(1.2)		
6 (90°)			2'	(0.6)	3'	(0.9)	6'	(1.8)				
6 (180°)					2'	(0.6)	4'	(1.2)	6'	(1.8)		
6 (270°)					0.5'	(0.2)	1'	(0.3)	3'	(0.9)	6'	(1.8)
6 (330°)					0.5'	(0.2)	1'	(0.3)	3'	(0.9)	6'	(1.8)
8 (90°)					1'	(0.3)	3'	(0.9)	8'	(2.4)		
8 (180°)					0.5'	(0.2)	2'	(0.6)	4'	(1.2)	8'	(2.4)
8 (270°)							0.5'	(0.2)	3'	(0.9)	5'	(1.5)
8 (330°)							0.5'	(0.2)	3'	(0.9)	5'	(1.5)
10 (90°)					3'	(0.9)	5'	(1.5)	10'	(3.1)		
10 (180°)							1'	(0.3)	5'	(1.5)	7'	(2.1)
10 (270°)							1'	(0.3)	4'	(1.2)	6'	(1.8)
10 (360°)					0.5'	(0.2)	1'	(0.3)	4'	(1.2)	6'	(1.8)
12 (90°)	3'	(0.9)			8'	(2.4)	10'	(3.1)	12'	(3.7)		
12 (180°)					1'	(0.3)	2'	(0.6)	5'	(1.5)	8'	(2.4)
12 (270°)					0.5'	(0.2)	1'	(0.3)	3'	(0.9)	6'	(1.8)
12 (360°)							1'	(0.3)	3'	(0.9)	5'	(1.5)
15 (90°)					2'	(0.6)	5'	(1.5)	11'	(3.4)	15'	(4.6)
15 (180°)					1'	(0.3)	3'	(0.9)	6'	(1.8)	9'	(2.7)
15 (270°)											6'	(1.8)
15 (360°)												
18 (90°)					0.5'	(0.2)	2'	(0.6)	6'	(1.8)	12'	(3.7)
18 (180°)							1'	(0.3)	3'	(0.9)	5'	(1.5)
18 (270°)							0.5'	(0.2)	1'	(0.3)	3'	(0.9)
18 (330°)							0.5'	(0.2)	1'	(0.3)	3'	(0.9)

Bold green type indicates recommended nozzle/screen combination to achieve catalog performance at 30 psi (2.1 bar)

Bold blue type indicates satisfactory nozzle/screen combination

Black type indicates a nozzle/screen combination that provides a throw reduction of more than 50%. With these nozzle/screen combinations a uniform spray pattern is not assured and a bubbler effect may result

Note: Screens were tested at 50 psi (3.5 bar) for 10 minutes prior to taking distance measurements. Distances may vary slightly with higher pressures and longer run-times
Note: Refer to catalog notation for proper nozzle selection

1800 PCS Performance

Flow (gpm) m ³ /h (l/m)	PCS-020 0.2 0.05 (60) Brown		PCS-025 0.25 0.06 (72) Pink		PCS-030 0.3 0.07 (84) Silver		PCS-040 0.4 0.09 (108) Orange		PCS-060 0.6 0.14 (144) Black		PCS-090 0.9 0.20 (216) White		
	Distance	feet	meters	feet	meters	feet	meters	feet	meters	feet	meters	feet	meters
5Q													
5T													
5H	5'	(1.5)	6'	(1.8)									
5F					5'	(1.5)							
8Q	8'	(2.4)	10'	(3.1)									
8T	6'	(1.8)	6.5'	(2.0)	7'	(2.1)	8'	(2.4)					
8H	5'	(1.5)	6'	(1.8)	7'	(2.1)	8'	(2.4)					
8F					2'	(0.6)	3'	(0.9)	8'	(2.4)			
10Q	6'	(1.8)	8'	(2.4)	8'	(2.4)	10'	(3.1)					
10T	4'	(1.2)	5'	(1.5)	9'	(2.7)	10'	(3.1)					
10H	3'	(0.9)	4'	(1.2)	6'	(1.8)	8'	(2.4)	10'	(3.1)			
10F							1'	(0.3)	4'	(1.2)	8'	(2.4)	
12Q	3'	(0.9)	7'	(2.1)	8'	(2.4)	11'	(3.4)	12'	(3.7)			
12T	2'	(0.6)	4'	(1.2)	6'	(1.8)	10'	(3.1)	11'	(3.4)	12'	(3.7)	
12H					4'	(1.2)	6'	(1.8)	10'	(3.1)	12'	(3.7)	
12TT					2'	(0.6)	4'	(1.2)	6'	(1.8)	9'	(2.7)	
12TQ					2'	(0.6)	3'	(0.9)	6'	(1.8)	8'	(2.4)	
12F							2'	(0.6)	5'	(1.5)	7'	(2.1)	
15Q	3'	(0.9)	4'	(1.2)	5'	(1.5)	9'	(2.7)	12'	(3.7)	15'	(4.6)	
15T			2'	(0.6)	5'	(1.5)	7'	(2.1)	12'	(3.7)	14'	(4.3)	
15H					3'	(0.9)	4'	(1.2)	7'	(2.1)	11'	(3.4)	
15TT					1'	(0.3)	2'	(0.6)	4'	(1.2)	8'	(2.4)	
15TQ											6'	(1.8)	
15F											4'	(1.2)	
5Q-B	2'	(0.6)	3	(0.9)	4'	(1.2)	5'	(1.5)					
5H-B					1'	(0.3)	2'	(0.6)	5'	(1.5)			
5F-B							1'	(0.3)	2'	(0.6)	3'	(0.9)	
5CST-B	1'	(0.3)	2	(0.6)	3'	(0.9)	5'	(1.5)					
9SST												7' x 12'	(2.1 x 3.7)
15CST								4' x 12'	(1.2 x 3.7)	4' x 24'	(1.2 x 7.3)	4' x 30'	(1.2 x 9.1)
15SST								2' x 10'	(0.6 x 3.1)	3' x 20'	(0.9 x 6.1)	4' x 26'	(1.2 x 7.9)
15EST						3' x 12'	(0.9 x 3.7)	4' x 15'	(1.2 x 4.6)				
15LCS	1' x 5'	(0.3 x 1.5)	1' x 7'	(0.3 x 2.1)	1' x 12'	(0.3 x 3.7)							
15RCS	1' x 5'	(0.3 x 1.5)	1' x 7'	(0.3 x 2.1)	1' x 12'	(0.3 x 3.7)							

Bold green type indicates recommended nozzle/screen combination to achieve catalog performance at 30 psi (2.1 bar)

Bold blue type indicates satisfactory nozzle/screen combination

Black type indicates a nozzle/screen combination that provides a throw reduction of more than 50%. With these nozzle/screen combinations a uniform spray pattern is not assured and a bubbler effect may result

Note: Screens were tested at 50 psi (3.5 bar) for 10 minutes prior to taking distance measurements. Distances may vary slightly with higher pressures and longer run-times

Note: Refer to catalog notation for proper nozzle selection

SA Series

Swing Assemblies Connect Heads to Lateral Pipes.

Features

- Quality alternative to locally assembled swing pipe/spiral barb fittings that do not carry a manufacturer's warranty
- Comprehensive range of products support a variety of landscape solutions
- Complementary engineered fittings and spray heads instill confidence in product specification

Specifications

- The operating range of the Rain Bird Swing Assemblies matches or exceeds the operating range for most ½" (1.3 cm) sprays and ¾" (1.9 cm) rotors
- Operating pressure: Up to 80 psi (5.5 bar)
- Surge pressure: Up to 240 psi (15.5 bar)
- Temperature: Up to 110° F (43° C)
- Maximum flow: 8 gpm (0.5 l/sec)



Unique Rain Bird system offering: Swing Assemblies and Spray Heads



SA Series

How To Specify

SA 12 5050

Inlet/Outlet
050: ½" x ½"
5050: ½" x ½"
5075: ½" x ¾"
7575: ¾" x ¾"

Length
18"
12"
6"

Model
Swing Assembly

SA Series Swing Assemblies Specifications

Model Number	Part Number	Length		Inlet		Outlet	
		US	METRIC	US	METRIC	US	METRIC
SA-6050	A48030	6"	15.2 cm	½"	1.3 cm	½"	1.3 cm
SA-125050	A48035	12"	30.5 cm	½"	1.3 cm	½"	1.3 cm
SA-127575	A48050	12"	30.5 cm	¾"	1.9 cm	¾"	1.9 cm
SA-185050	A48065	18"	45.7 cm	½"	1.3 cm	½"	1.3 cm

SPX Series Swing Pipe

Swing Pipe with Spiral Barb Fittings Provides a Flexible Swing Assembly for Sprays and Rotors

Features and Benefits

- **SPX-FLEX100**
 - Superior flexibility allows pipe to be efficiently routed around hardscape, terraces, and uneven terrain to turn landscape design into reality
 - Textured surface makes product easier to handle, contributing to labor efficiency, especially under wet conditions
 - Up to 30% more flexible than competitive flexible pipe*
 - Resists kinking
 - Quick and easy installation lowers material and labor costs
 - Installs quickly leaving time for additional system installations and incremental revenue opportunities

**Based on tests conducted at the Rain Bird Product Research Center. Tests conducted on Rain Bird and principal competitors' swing pipe*

Specifications

- Inside diameter: 0.49" (1.24 cm)
- Operating pressure: Up to 80 psi (5.5 bar)
- Temperature: Up to 110° F (43° C)

Models

- SPX-FLEX-100: 100' (30 m) coil
- SPX-FLX-330: 330' (100 m) coil



Up to 30% more flexible
than competitors



SPX-FLEX100

SB Series Spiral Barb Fittings

A Natural Product Complement to SPX Series Swing Pipe

Features and Benefits

- Fittings are made of robust acetal material to make connecting swing pipe fast and easy
- Easy twist-in insertion – no glue or clamps needed for installation
- Aggressive barb lip makes a secure connection that is less likely to leak

- Broad range of shapes and sizes allow the contractor to choose the best fitting for the application
- Extended length and aggressive barb lip prevent blow outs, reducing likelihood of contractor call backs

Specifications

- Operating pressure: Up to 80 psi (5.5 bar)
- Temperature: Up to 110° F (43° C)

Models

- SBE-050: ½" M NPT x ½" barb elbow
- SBE-075: ¾" M NPT x ½" barb elbow
- SBA-050: ½" M NPT x ½" barb adapter
- SB-TEE: ½" barb x ½" barb x ½" barb tee
- SB-CPLG: ½" barb x ½" barb coupling

